

G600

Four 4K Display Thin Client with AMD Ryzen Processor



Features

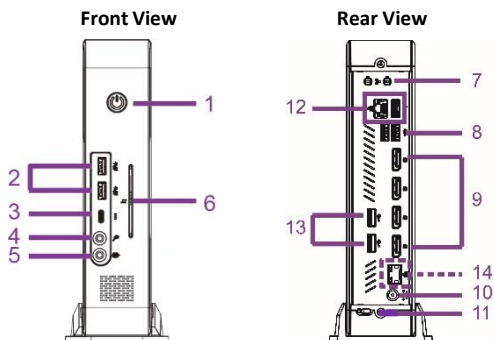
- Designed with AMD® V-series embedded Ryzen platform
- Fanless design for long life span
- Support high speed interface:DDR4, USB 3.0, SATA III, 4K display
- Support four 4K display (4 x DP)
- Support up to 8 USB ports
- Optional COM (alternative to USB 2.0 x 2)
- Optional Fiber LAN
- Optional TPM 2.0
- Optional smart card reader
- Optional Wi-Fi module (M.2 2230 E Key Socket)

Specification

Processor	CPU	AMD V1202B Dual-Core 2.3GHz up to 3.2GHz (Turbo frequency)	
Memory	RAM	x 2 SO-DIMM socket for DDR4 2400MHz RAM up to 32GB	
Display	Max. Resolution	Up to 3840 x 2160 @ 60Hz	
Audio	Speaker	x 1 (Built-in 0.5W internal speaker)	
Storage		Onboard eMMC from 8GB to 32GB (Manufacturing option) x 1 mSATA connector (Disable eMMC in BIOS is required)	
I/O Physical	USB 3.2 Gen 1	x 2 (front x 2)	
	USB 2.0	x 5 (rear x 5)	
	USB Type C 3.2 Gen 1	x 1 (front x 1)	
	DP	x 4	
	Mic-in	x 1	
	Line-out	x 1 (Speaker-out jack)	
Security	TPM (Trust Platform Module)	x 1 on board (Manufacturing option)	
Networking	LAN	x 1 (RJ-45,10/100/1000 Base-T)	
	Fiber Optic LAN	x 1 (Manufacturing option)	
	WLAN	x 1 M.2 E key (Optional module)	
Environment	Temperature	Operation	32° to 95° F (0° to 35° C)
		Storage	-4° to 140° F (-20° to 60° C)
	Relative Humidity		20% to 80% non-condensing
Other Expansion	Smart Card Reader	OmniKey 3121 (Optional)	
	COM	x 1(Manufacturing option, alternative to USB2.0x 2)	
Power	Power Supply	60W, DC 12V/5A external power adapter	
Compatible OS		Win10 IoT Enterprise, Linux per request	
Mounting	Metal VESA Mounting kit	(Optional)	
Mechanical	Kensington Lock	Yes	
Physical Characteristics	Chassis Housing/Color	Plastic and metal/ Black	
	Dimension	53(W) x 230 (H) x 210 (D) mm (w/o stand)	
Regulatory Compliance		FCC / CE / LVD	

Drawing

Specifications subject to change without notice.



1. Power Button
2. USB 3.2 Gen1
3. USB Type C 3.2 Gen1
4. Mic-in
5. Line-out
6. Smart card reader slot (Optional)
7. Antenna Hole x2
8. USB 2.0
9. DP
- 10.12V DC jack
11. Kensington Lock
12. RJ45 LAN+USB2.0
13. USB 2.0 (alternative to optional COM)
14. Fiber optic LAN (Optional), alternative to item 12

